



Project \_\_\_\_\_

Item No. \_\_\_\_\_

Quantity \_\_\_\_\_

## Model 40D Tube Fired Gas Fryer



Model 40D Tube Fired Gas Fryer

### STANDARD SPECIFICATIONS

#### CONSTRUCTION

- Welded tank with an extra smooth peened finish ensures easy cleaning.
- Long lasting, high temperature alloy stainless steel heat baffles are mounted in the heat exchanger tubes to provide maximum heating and combustion efficiency.
- Standing pilot light design provides a ready flame when heat is required.
- Stainless steel front, door and galvanized steel sides and back.

#### CONTROLS

- Thermostat maintains selected temperature automatically between 200°F (93°C) and 400°F (190°C).
- Integrated gas control valve acts as a manual and pilot valve, automatic pilot valve, gas filter, pressure regulator, and automatic main valve.
- Gas control valve prevents gas flow to the main burner until pilot is established and shuts off all gas flow automatically if the pilot flame goes out.
- Temperature limit switch safely shuts off all gas flow if the fryer temperature exceeds the upper limit.

#### OPERATIONS

- Front 1-1/4" NPT drain valve, for quick draining

### STANDARD ACCESSORIES

- Tank-stainless steel
- Cabinet-stainless steel front, door and galvanized steel sides and back
- One tube rack
- Integral Flue Deflector
- Two twin size baskets
- One drain extension
- One drain line clean-out rod
- Removable basket hanger for easy cleaning
- 6" (15.2 cm) Adjustable legs

### OPTIONS & ACCESSORIES (AT ADDITIONAL COST)

- 6" (15.2 cm) Adjustable casters
- Tank Cover



Pitco Frialator • P.O. Box 501, Concord, NH 03302-0501 • 509 Route 3A, Bow, NH 03304

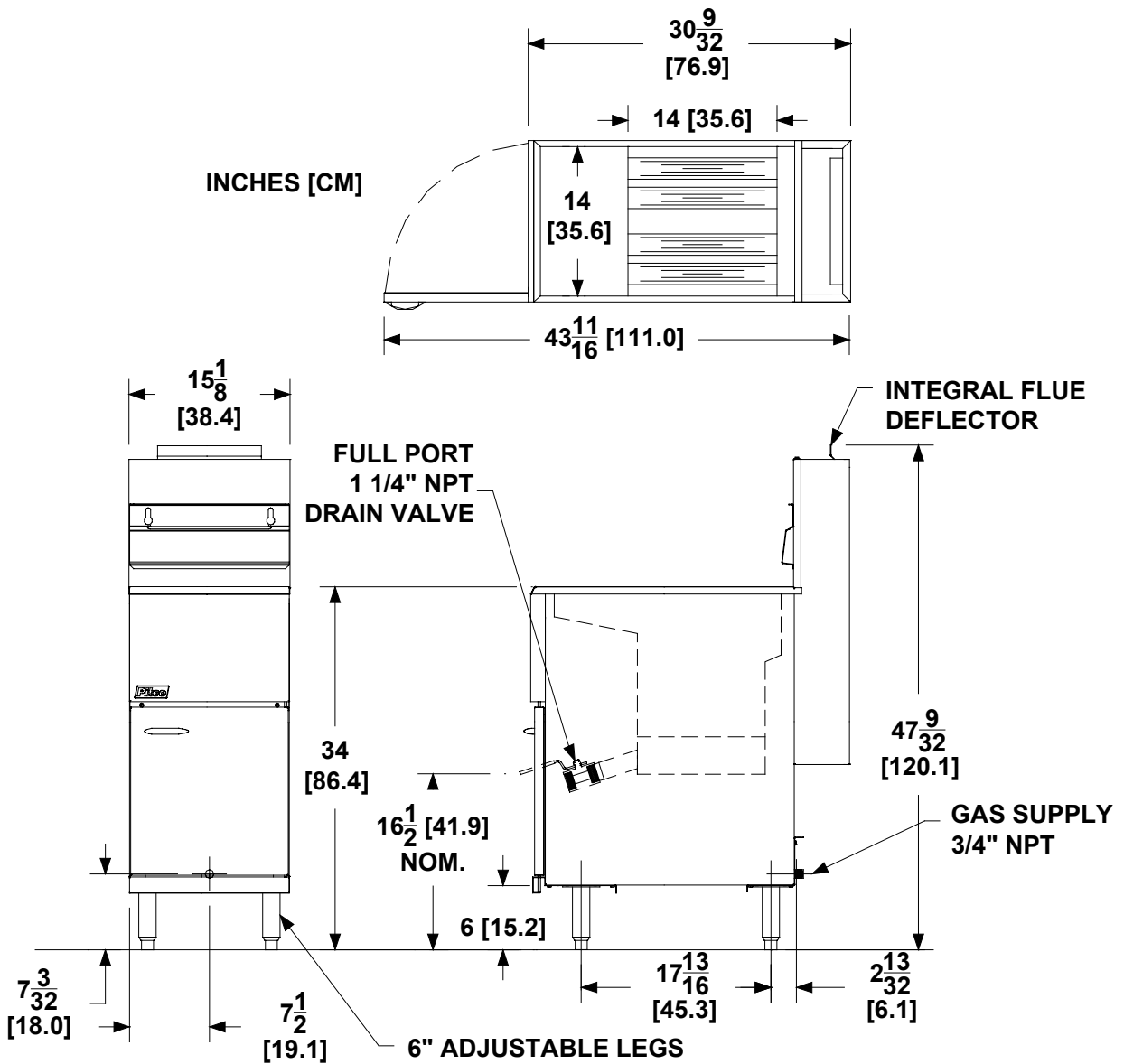
603-225-6684 • FAX: 603-225-8497 • [www.Pitco.com](http://www.Pitco.com)

L10-334 Rev x0 03/09

Printed in the USA

# Model 40D Tube Fired Gas Fryer

Model 40D Tube Fired Gas Fryer



## INDIVIDUAL FRYER SPECIFICATIONS

Frying Area	Cook Depth	Oil Capacity	Gas Input Rate / Hr	Burner Pressure Nat	Burner Pressure LP
14 x 14 in (35.6 x 35.6 cm)	4 - 6 in (10.2 - 15.2cm)	40 - 45 Lbs (18 - 20 kg)	115,000 BTUs (31.3 kW) (112 MJ)	4" W.C. (10 mbars / 1 kPa)	10" W.C. (25 mbars / 2.4 kPa)

## FRYER SHIPPING INFORMATION (Approximate)

Shipping Weight	Shipping Crate Size H x W x L	Shipping Cube
181 Lbs (82.1 kg)	36 x 19 x 46 in (116.8 x 48.3 x 91.4 cm)	18.2 ft <sup>3</sup> . (0.5m <sup>3</sup> )

## CLEARANCES

Front min.	Floor min.	Combustible material	Non-Combustible materia	Fryer Flue Area
30" (76.2 cm)	6" (15.25 cm)	Sides min. 6" (15.2cm)	Rear min. 6" (15.2cm)	Do not block / restrict flue gases from flowing into hood or install vent hood drains over the
		Sides min. 0"	Rear min. 0"	

## SHORT FORM SPECIFICATION

Provide 40D tube-fired gas fryer. Fryer shall have an atmospheric burner system combined with four stainless steel tubes utilizing high temperature alloy stainless steel baffles. Fryer shall have a deep cool zone; minimum 20% of total capacity. Fryer cooking area shall be 14" x 14" (35.6 x 35.6 cm) with a cooking depth of 4 - 6" (10.2 - 15.2 cm). Heat transfer area shall be a minimum of 575 square inches (3,709 sq cm).

## TYPICAL APPLICATION

Frying a wide variety of foods in a limited amount of space. Frying that requires a medium volume production rate.



Pitco Frialator • P.O. Box 501, Concord, NH 03302-0501 • 509 Route 3A, Bow, NH 03304

603-225-6684 • FAX: 603-225-8497 • [www.Pitco.com](http://www.Pitco.com) L10-334 Rev x0 03/09 Printed in the USA

We reserve the right to change specifications without notice and without incurring any obligation for equipment previously or subsequently sold